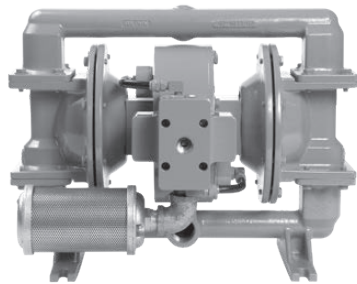


H220 HIGH-PRESSURE METAL PUMP

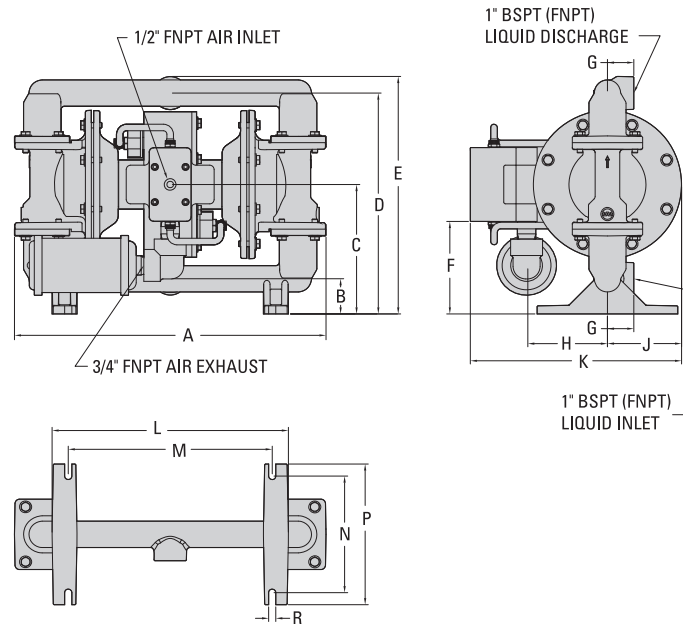
25 mm (1") Pump
Maximum Flow Rate:
94 lpm (25 gpm)



H220 METAL

DIMENSIONAL DRAWING

H220 Metal



DIMENSIONS

ITEM	METRIC (mm)	STANDARD (inch)
A	450	17.7
B	51	2.0
C	188	7.4
D	320	12.6
E	343	13.5
F	135	5.3
G	38	1.5
H	114	4.5
J	107	4.2
K	305	12.0
L	340	13.4
M	295	11.6
N	168	6.6
P	203	8.0
R	10	0.4

LW0440 REV. A

PUMP DATA

Specifications:

- Ship Weight....Stainless Steel 37 kg (81 lb)
- Ductile Iron 38 kg (84 lb)
- Air Inlet13 mm (1/2")
- Liquid Inlet.....25 mm (1")
- Liquid Outlet.....25 mm (1")

H220 HIGH-PRESSURE METAL PUMP

PERFORMANCE

**H220 METAL
TPE / FULL-STROKE
PTFE-FITTED**

Max. Flow Rate.....94 lpm (25 gpm)
 Max. Inlet Pressure6.9 bar (100 psig)
 Max. Solids Passage.....6.4 mm (1/4")
 Max. Suction Lift.....2.8 m Dry (9.1')
 9.0 m Wet (29.5')

