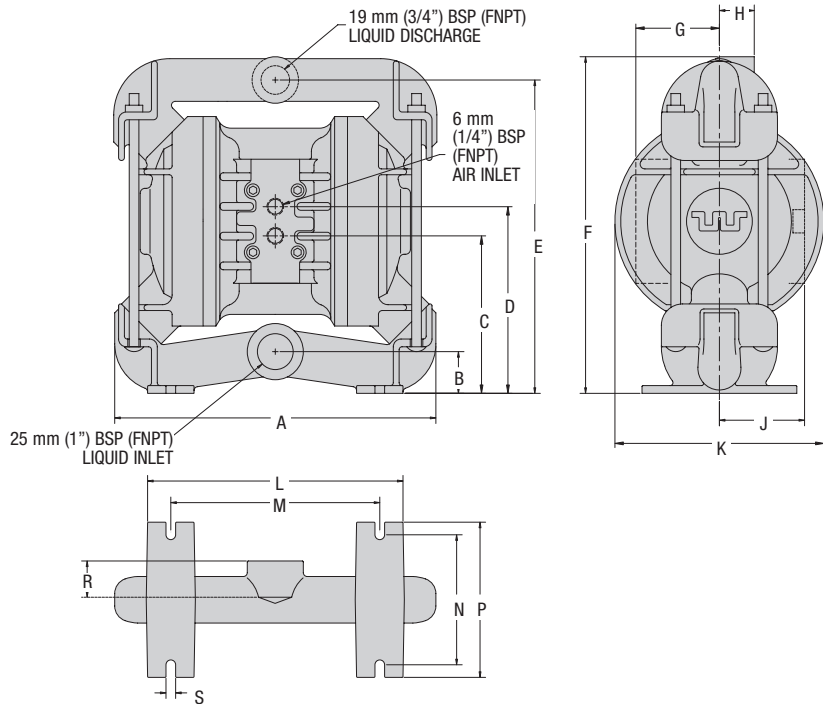


DIMENSIONAL DRAWING

A2B METAL (T-SERIES CENTER SECTION)



DIMENSIONS

| ITEM | METRIC (mm) | STANDARD (inch) |
|------|-------------|-----------------|
| A | 267 | 10.5 |
| B | 36 | 1.4 |
| C | 130 | 5.1 |
| D | 152 | 6.0 |
| E | 254 | 10.0 |
| F | 279 | 11.0 |
| G | 69 | 2.7 |
| H | 28 | 1.1 |
| J | 76 | 3.0 |
| K | 173 | 6.8 |
| L | 211 | 8.3 |
| M | 173 | 6.8 |
| N | 107 | 4.2 |
| P | 127 | 5.0 |
| R | 33 | 1.3 |
| S | 8 | 0.3 |

airpumping.co.uk

est. 1979

Unit 16, Upminster Trading Park, Warley St, Upminster, Essex, RM14 3PJ, ENGLAND